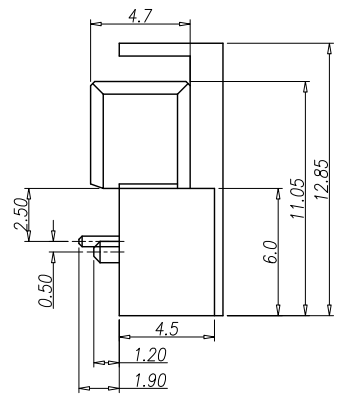
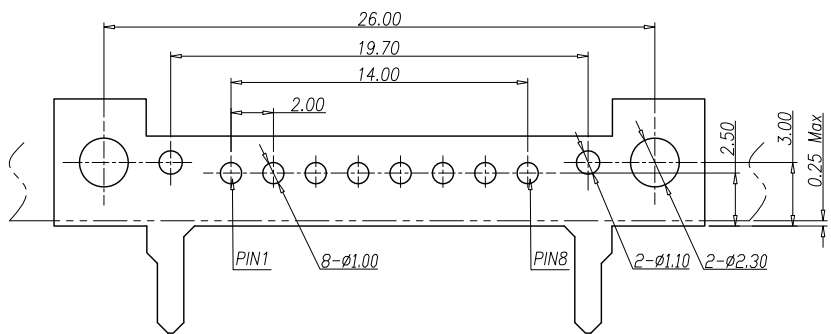
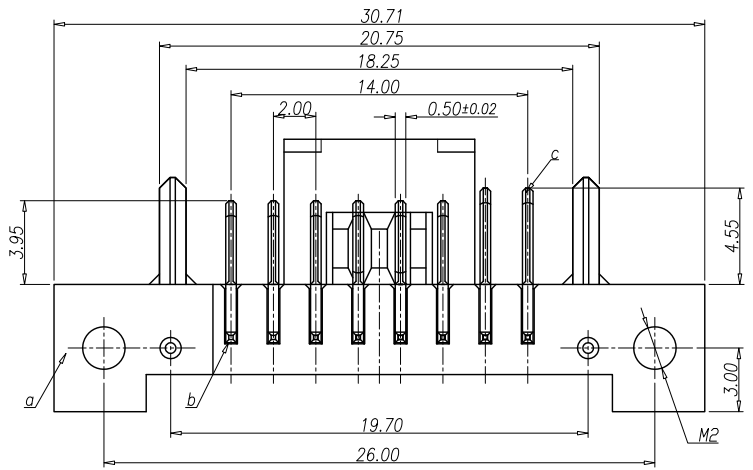
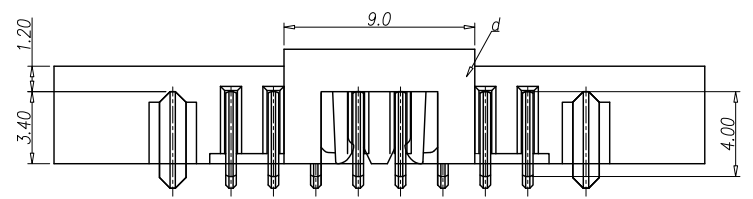


4	3	2	1
CATEGORY	DESCRIPTION	P/N #	
CONNECTOR	CONNECTOR,BATTERY,ML,BLK,8P, 2.0mm,90D,DIP,TR	BA08EM-DB9G1-0200	

REV.	ECN NO	DESCRIPTION	REVISED	DATE
R01		New Release	GuoMeiChun	2009.05.25



SPECIFICATIONS

- CONTACT CURRENT RATING: 2 Amperes.MAX
- WITHSTANDING VOLTAGE: AC 500V MIN/60S
- INSULATION RESISTANCE: 500 MΩ
- CONTACT RESISTANCE: 50 mΩ MAX.
- VOLTAGE RATING: 250V DC
- TEMPERATURE: -25°C TO +90°C.
- SOLDER HEAT RESISTANCE:WAVE SOLDERING 260° 10sec.

PROPOSAL ONLY

RECOMMEND PCB LAYOUT
PCB THICKNESS:1.20mm.
PCB LAUOUT TOLERANCE:±0.05mm.

NO.	PART NAME	Q'TY	MATERIAL	PLATING & COLOR	Remark
d	Sucker	1	PA66 UL94V-0	BLACK	
c	LONG CONTACT	2	COPPER ALLOY	Au Plating	
b	SHORT CONTACT	6	COPPER ALLOY	Au Plating	
a	Housing	1	PA66 UL94V-0	BLACK	

UNLESS OTHERWISE SPECIFIED TOLERANCES
DECIMALS: X :±0.5 X :±2°
.X :±0.3 X.X :±1°
X.XX :±0.2

Product Drawing ALEXTRONIC			SCALE:1/1	UNIT: mm	DWG.NO:
APPROVED BY		CHECKED BY	WYX	Pengjie	GuoMeiChun
CUSTOMER COPY					